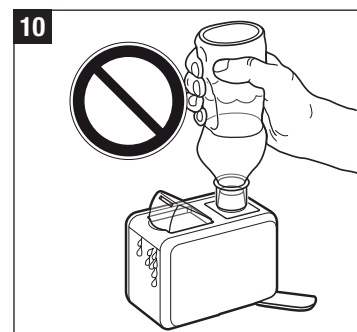
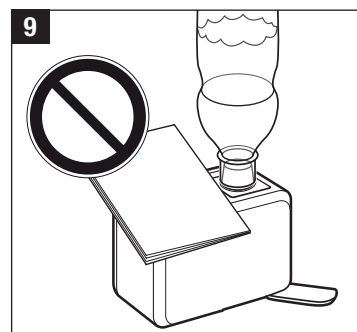
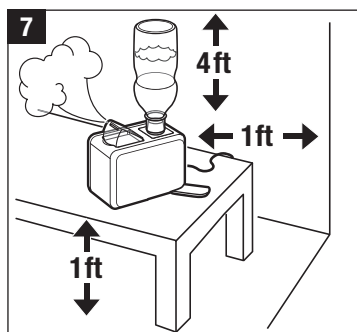
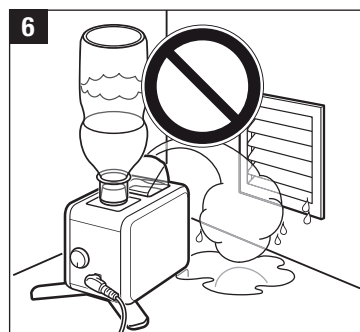
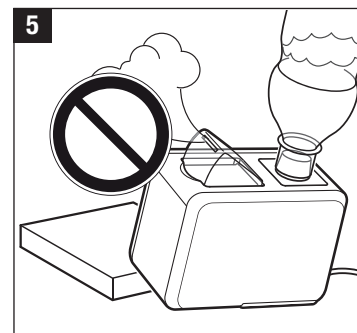
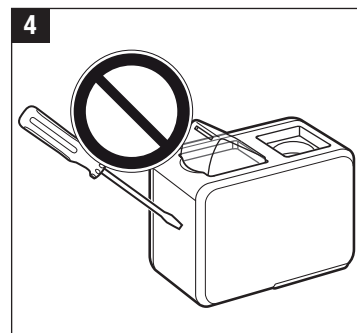
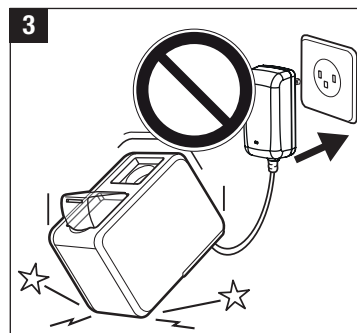
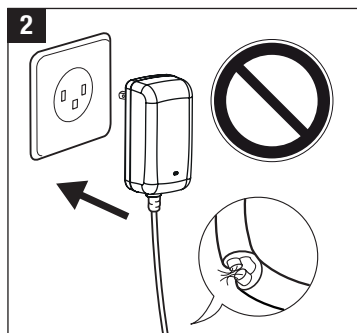
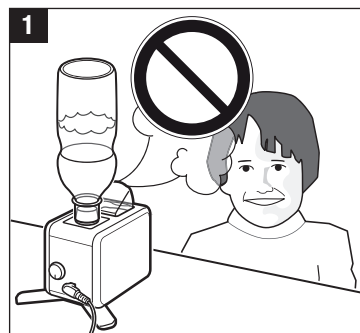
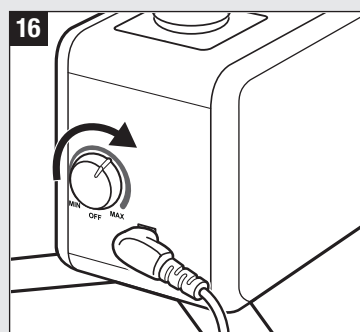
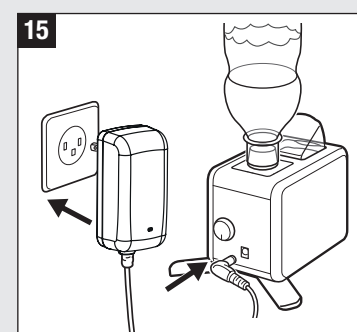
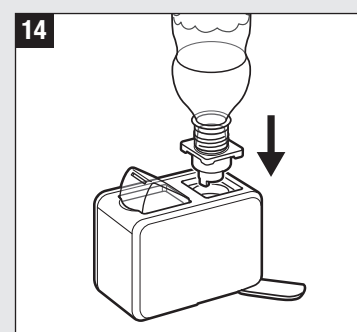
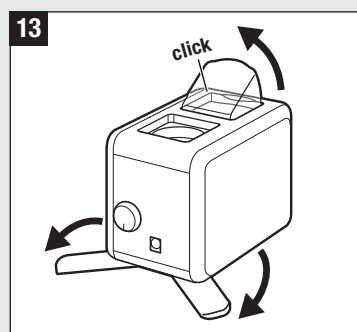
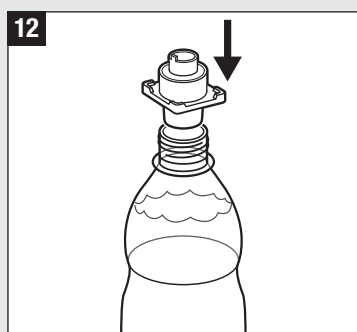
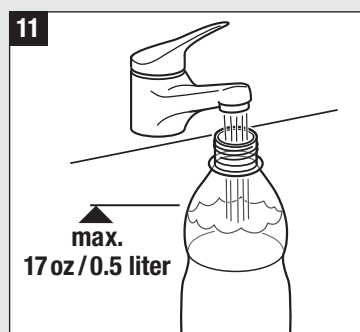


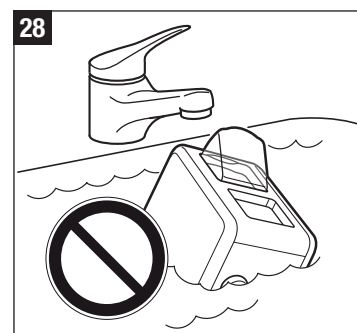
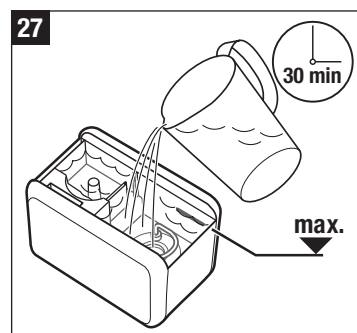
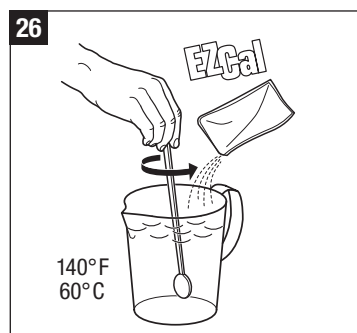
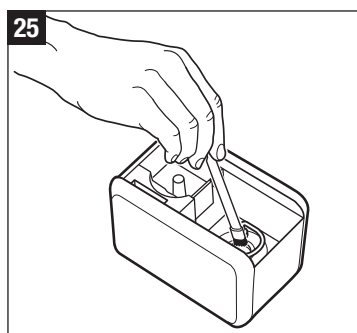
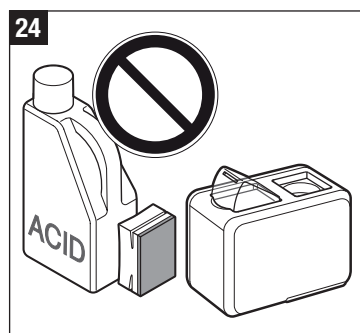
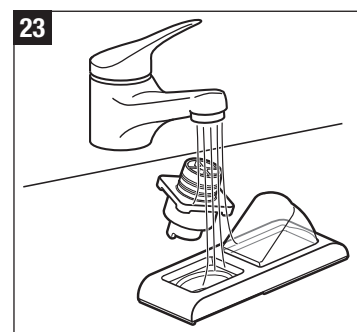
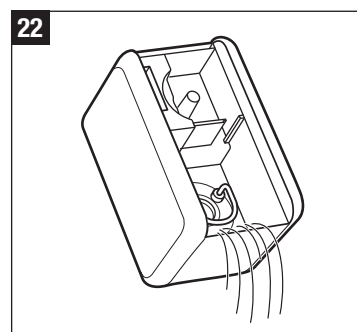
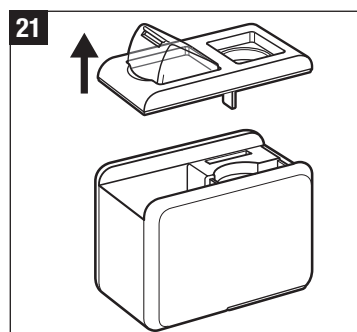
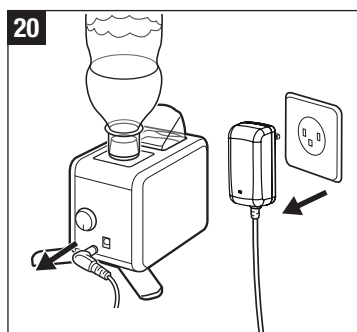
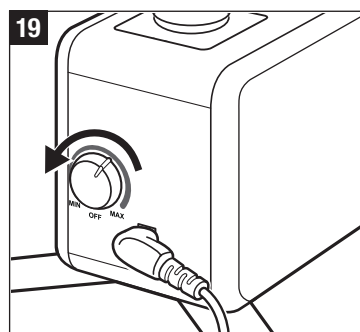
**Safety
Instructions
Instructions
de sécurité
Instrucciones
de seguridad**



**Setup and
Operation
Configuration et
Fonctionnement
Preparación y
Operación**

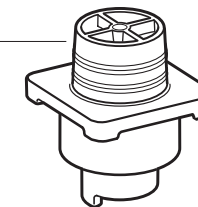


**Maintenance
Entretien
Mantenimiento**

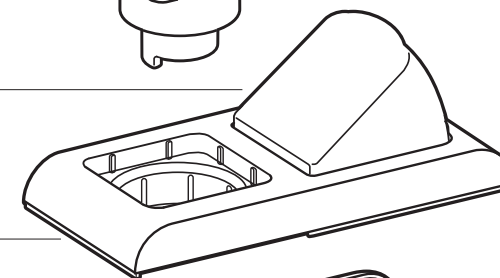


**Description of the appliance
Description de l'appareil
Descripción del artefacto**

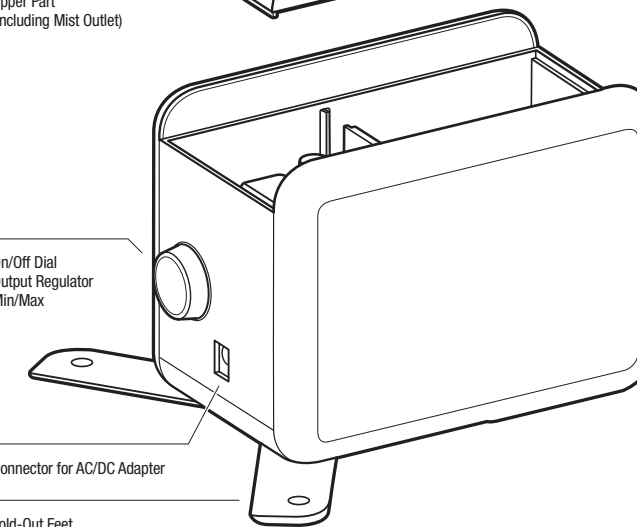
Bottle Base



Mist Outlet/Nozzle



Upper Part
(including Mist Outlet)



On/Off Dial
Output Regulator
Min/Max

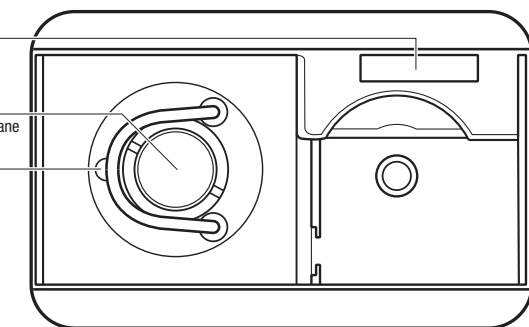
Connector for AC/DC Adapter

Fold-Out Feet

Air Vent

Transducer Membrane

LED-Light
(Blue = On/
Red = Auto-Off)



Accessories

